

GENERAL NOTES

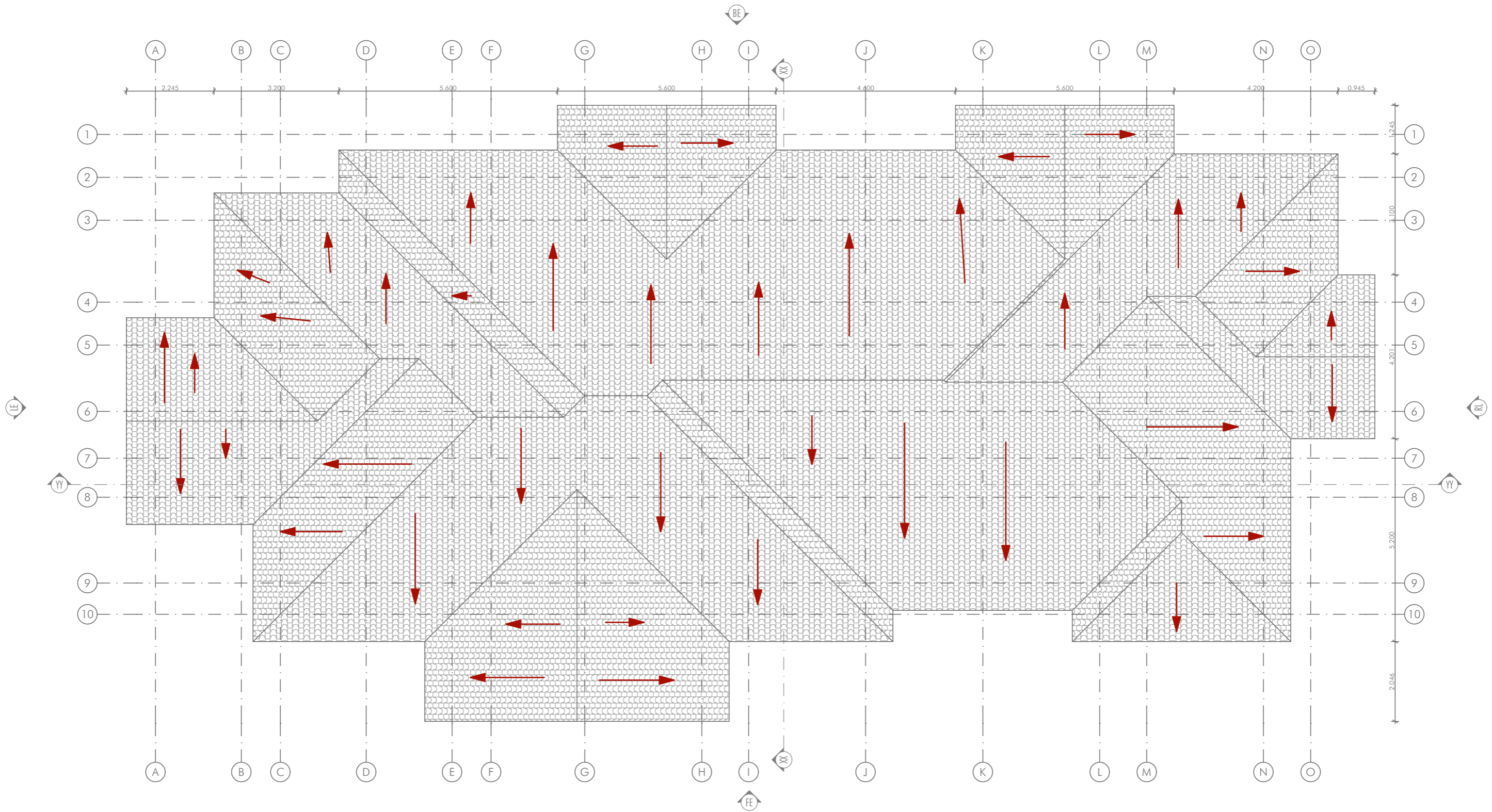
Project Info:
 Title:
 Location:
 Client:

Drawing Name
GROUND FLOOR

	Name	Signature
Designed by :		
Drawn by :		
Checked by :		
Approved by :		

- Discipline :**
- Architectural
 - Structural
 - Mechanical
 - Electrical
 - Civil
 - ICT

Drawing Scale	
1:100	
Layout ID A.01	Revision



GENERAL NOTES

Project Info:
 Title:
 Location:
 Client:

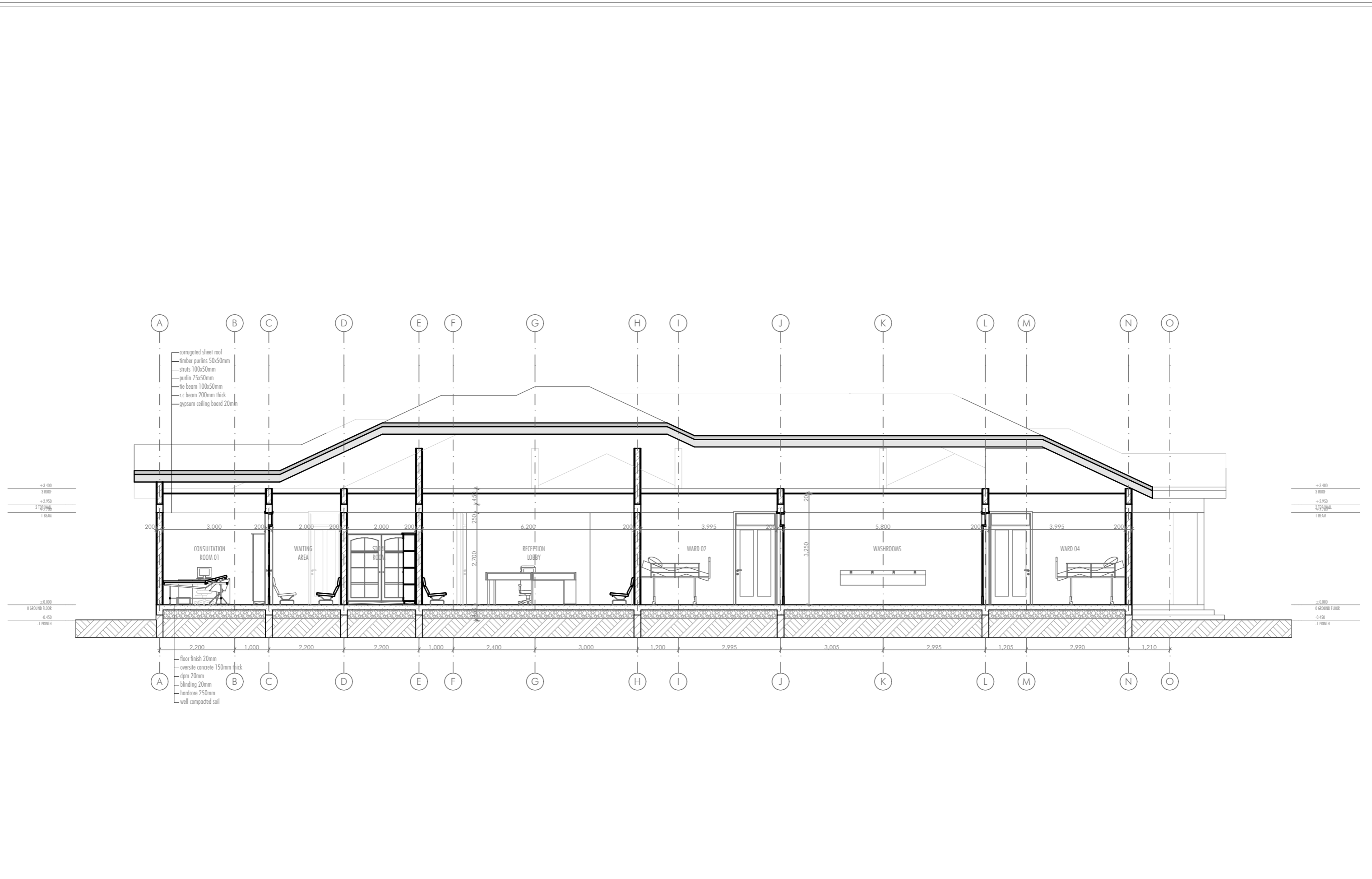
Drawing Name
ROOF

	Name	Signature
Designed by :		
Drawn by :		
Checked by :		
Approved by :		

- Discipline :**
- Architectural
 - Structural
 - Mechanical
 - Electrical
 - Civil
 - ICT

Drawing Scale
1:100

Layout ID A.02	Revision
--------------------------	----------



GENERAL NOTES

Project Info:
 Title:
 Location:
 Client:

Drawing Name
 LONG SECTION

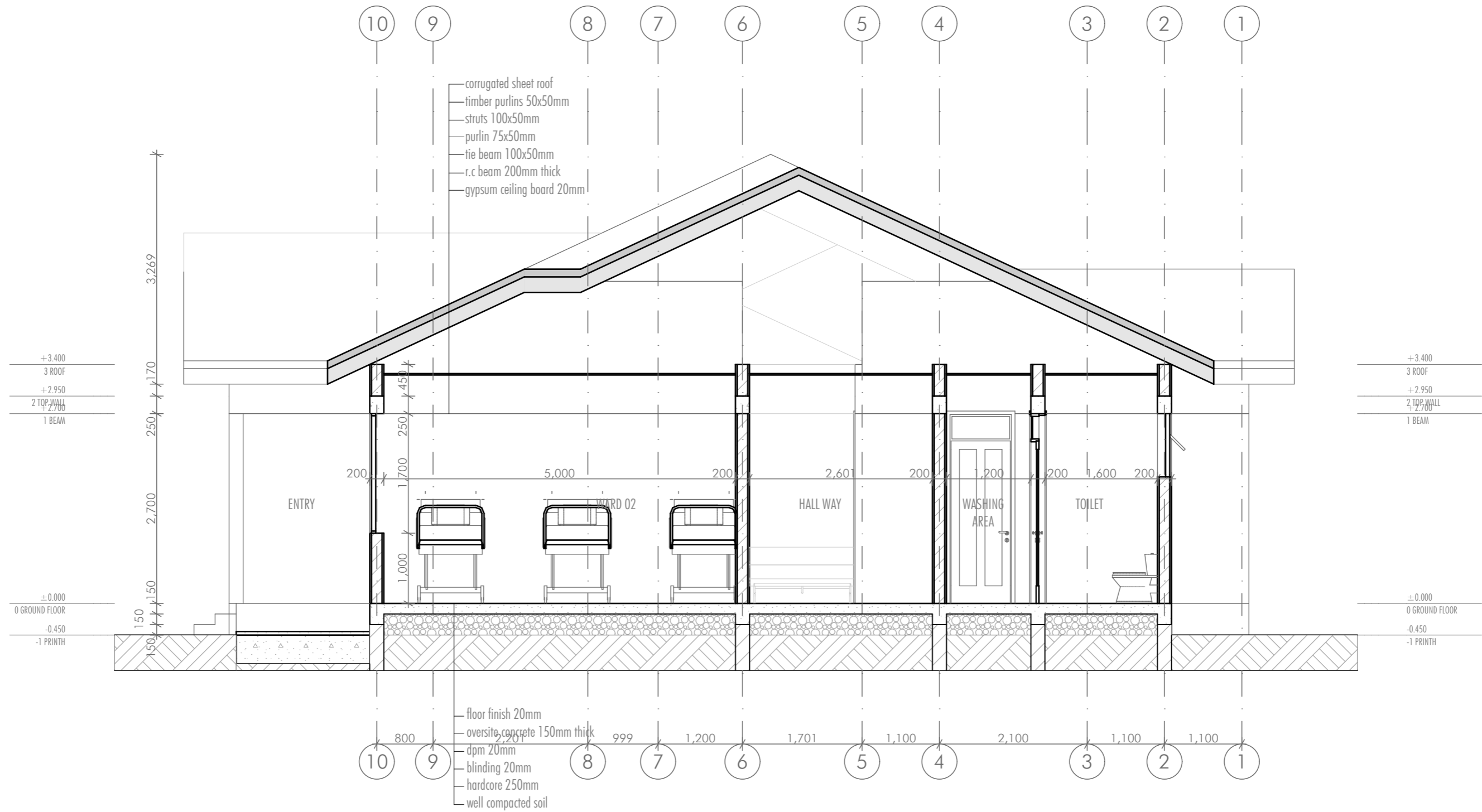
	Name	Signature
Designed by :		
Drawn by :		
Checked by :		
Approved by :		

Discipline :

Architectural Electrical
 Structural Civil
 Mechanical ICT

Drawing Scale
 1:100

Layout ID: **A.03** Revision:



GENERAL NOTES

Project Info:
 Title:
 Location:
 Client:

Drawing Name
CROSS SECTION

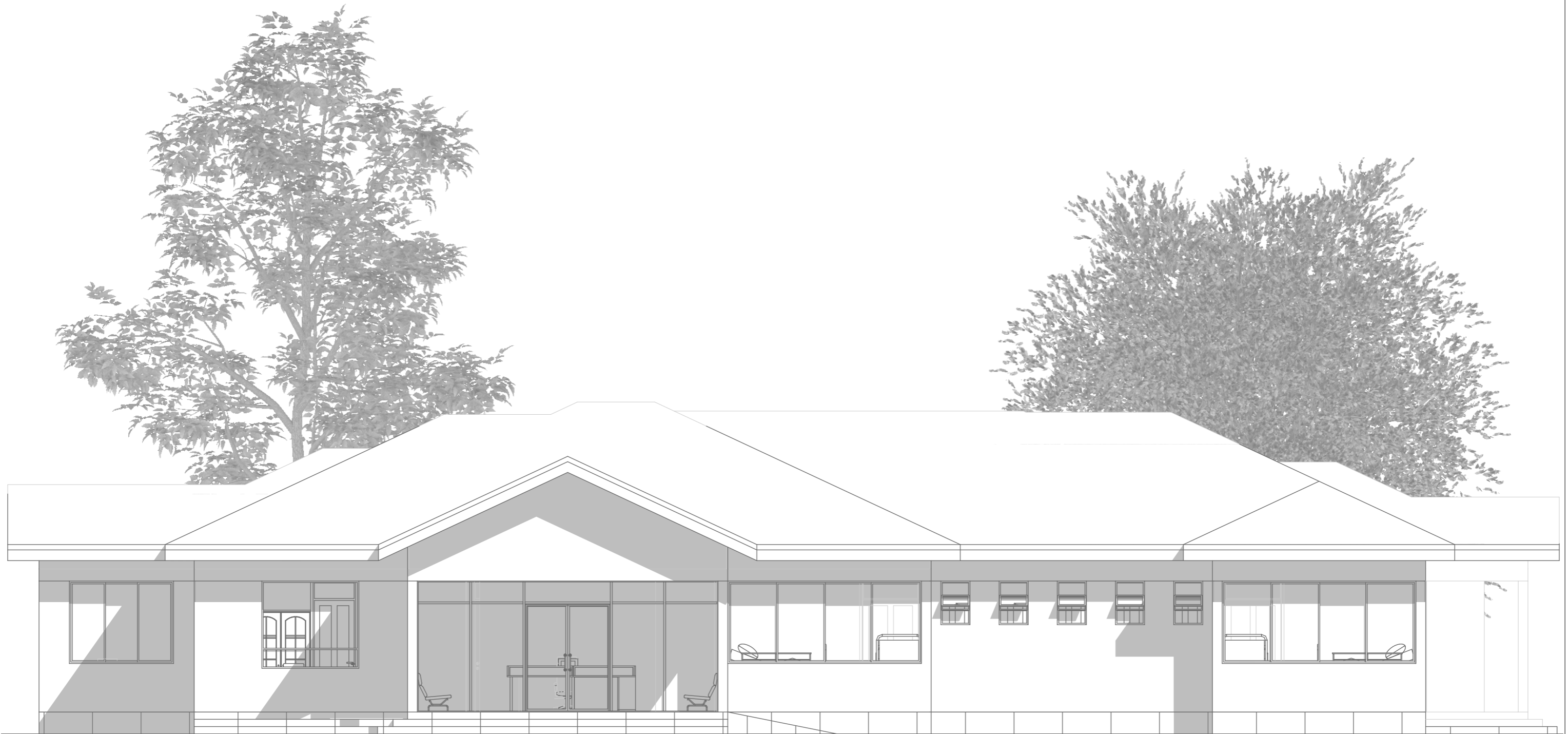
	Name	Signature
Designed by :		
Drawn by :		
Checked by :		
Approved by :		

Discipline :

Architectural **Electrical**
 Structural **Civil**
 Mechanical **ICT**

Drawing Scale
1:60

Layout ID A.04	Revision
--------------------------	----------



GENERAL NOTES

Project Info:
 Title:
 Location:
 Client:

Drawing Name
FRONT ELEVATION

	Name	Signature
Designed by :		
Drawn by :		
Checked by :		
Approved by :		

Discipline :

<input checked="" type="checkbox"/> Architectural	<input type="checkbox"/> Electrical
<input type="checkbox"/> Structural	<input type="checkbox"/> Civil
<input type="checkbox"/> Mechanical	<input type="checkbox"/> ICT

Drawing Scale
1:80

Layout ID A.05	Revision
--------------------------	----------



GENERAL NOTES

Project Info:
 Title:
 Location:
 Client:

Drawing Name
BACK ELEVATION

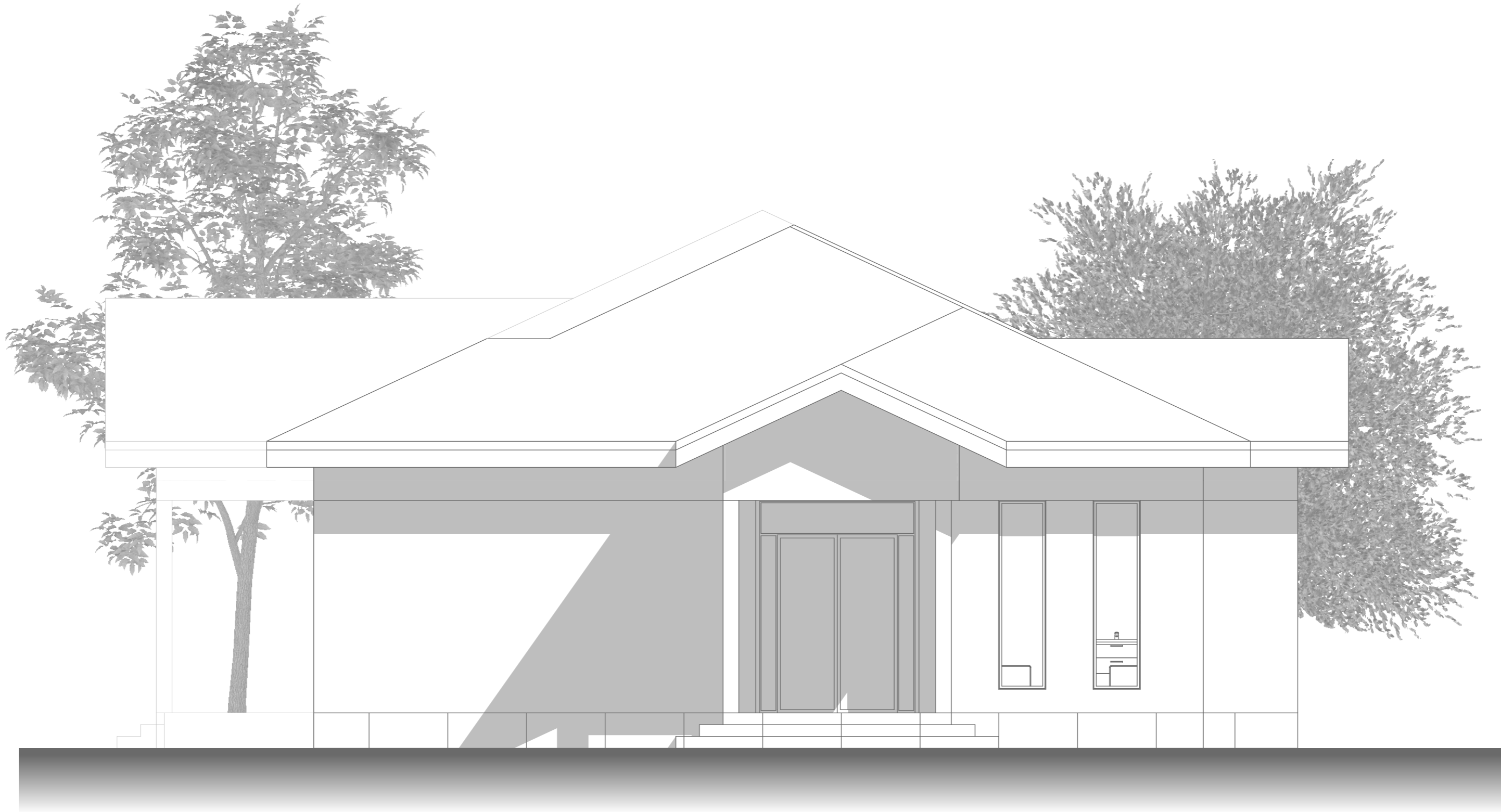
	Name	Signature
Designed by :		
Drawn by :		
Checked by :		
Approved by :		

Discipline :

Architectural **Electrical**
 Structural **Civil**
 Mechanical **ICT**

Drawing Scale
1:80

Layout ID A.06	Revision
--------------------------	----------



GENERAL NOTES

Project Info:

Title:
Location:
Client:

Drawing Name
RIGHT ELEVATION

	Name	Signature
Designed by :		
Drawn by :		
Checked by :		
Approved by :		

Discipline :

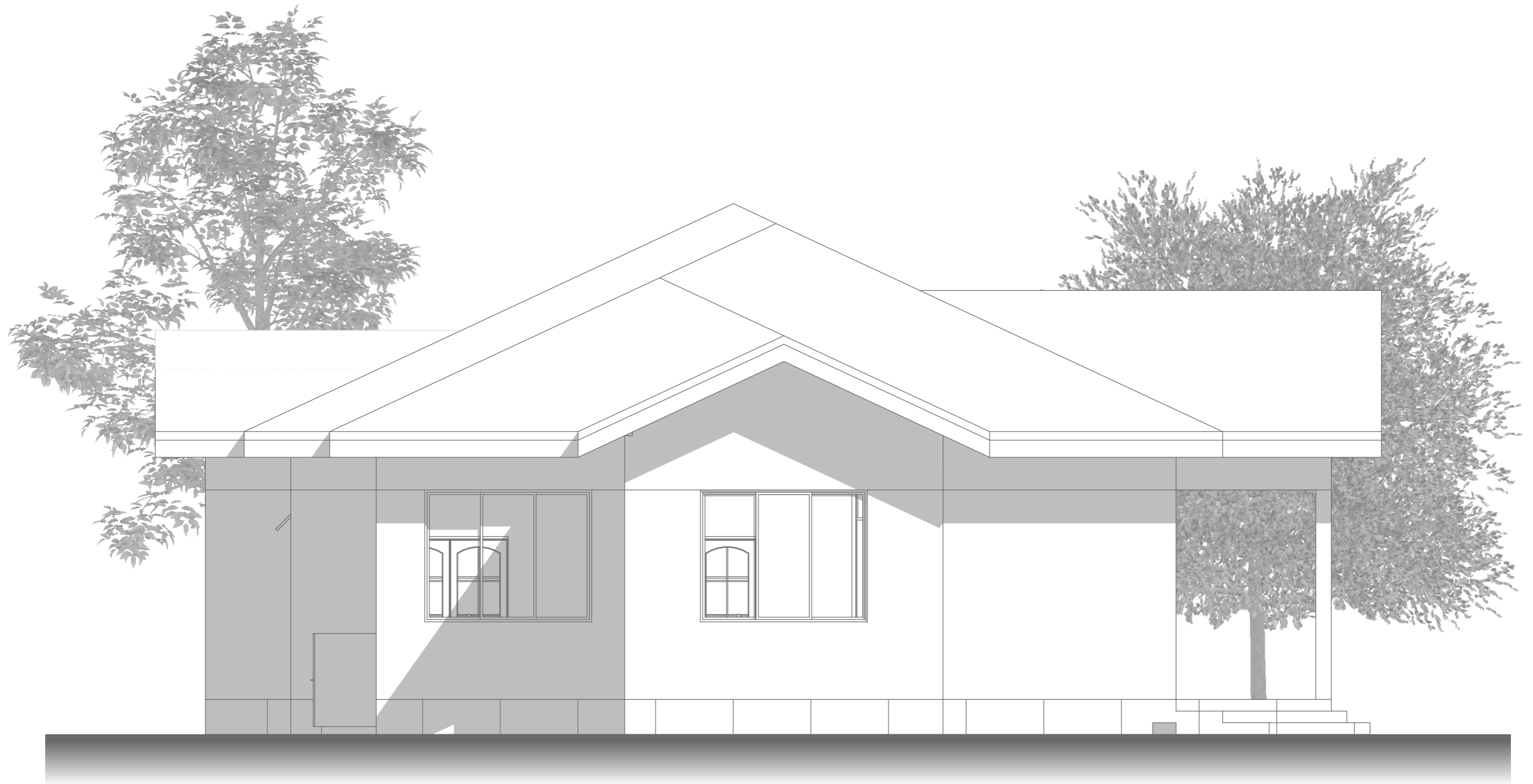
- Architectural**
- Structural**
- Mechanical**
- Electrical**
- Civil**
- ICT**

Drawing Scale

1:50

Layout ID
A.07

Revision



GENERAL NOTES

Project Info:
 Title:
 Location:
 Client:

Drawing Name
 LEFT ELEVATION

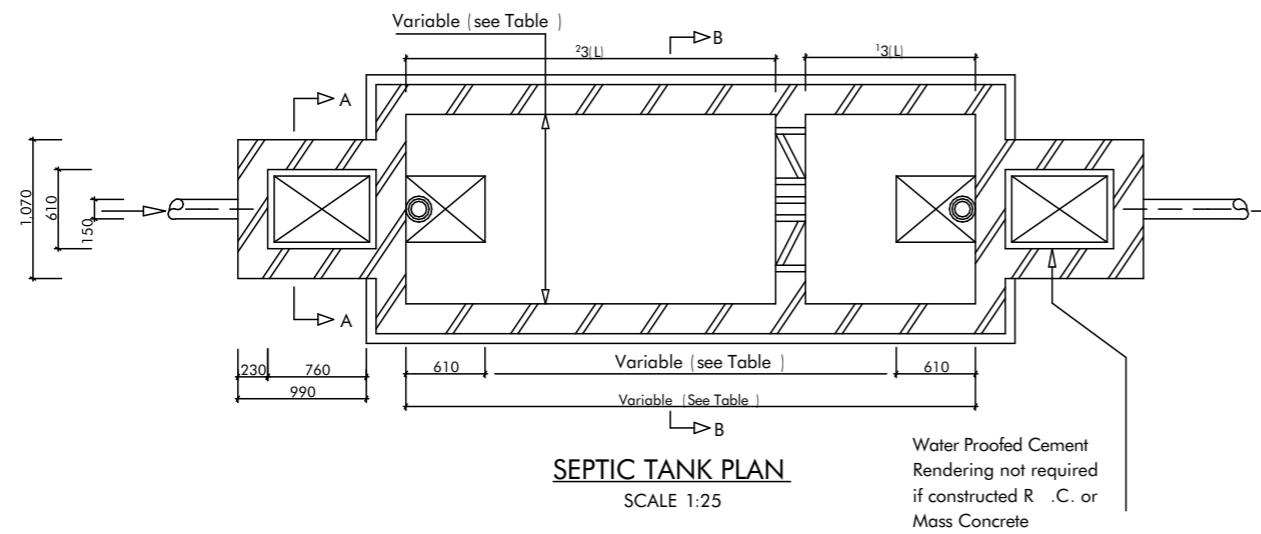
	Name	Signature
Designed by :		
Drawn by :		
Checked by :		
Approved by :		

Discipline :

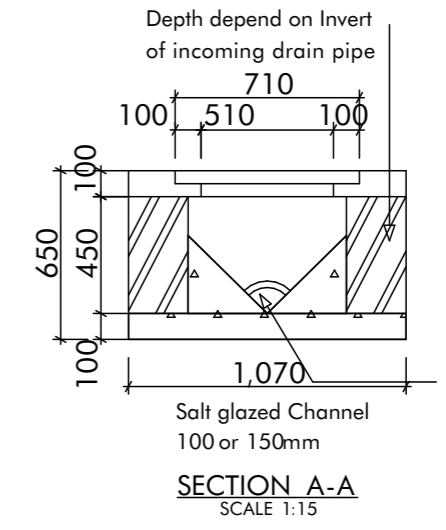
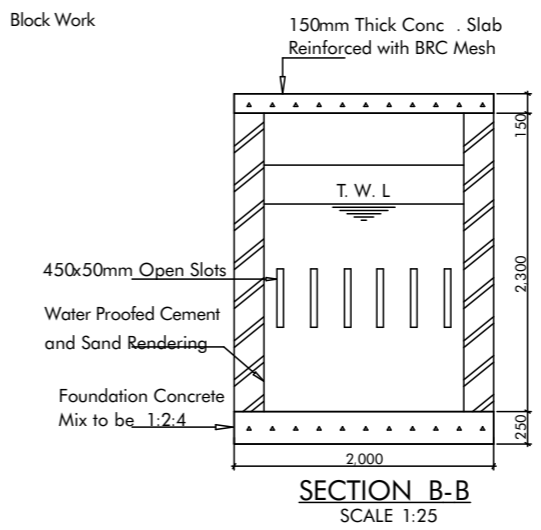
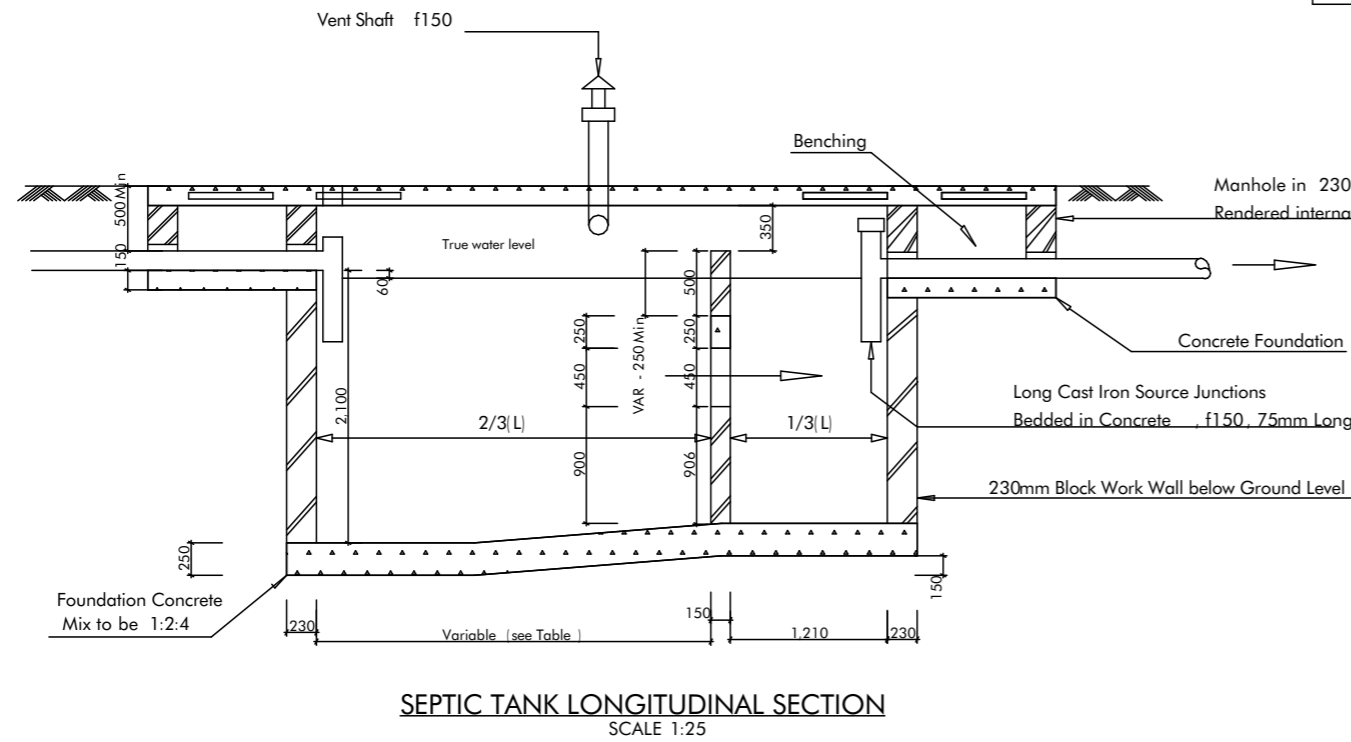
<input checked="" type="checkbox"/> Architectural	<input type="checkbox"/> Electrical
<input type="checkbox"/> Structural	<input type="checkbox"/> Civil
<input type="checkbox"/> Mechanical	<input type="checkbox"/> ICT

Drawing Scale
 1:50

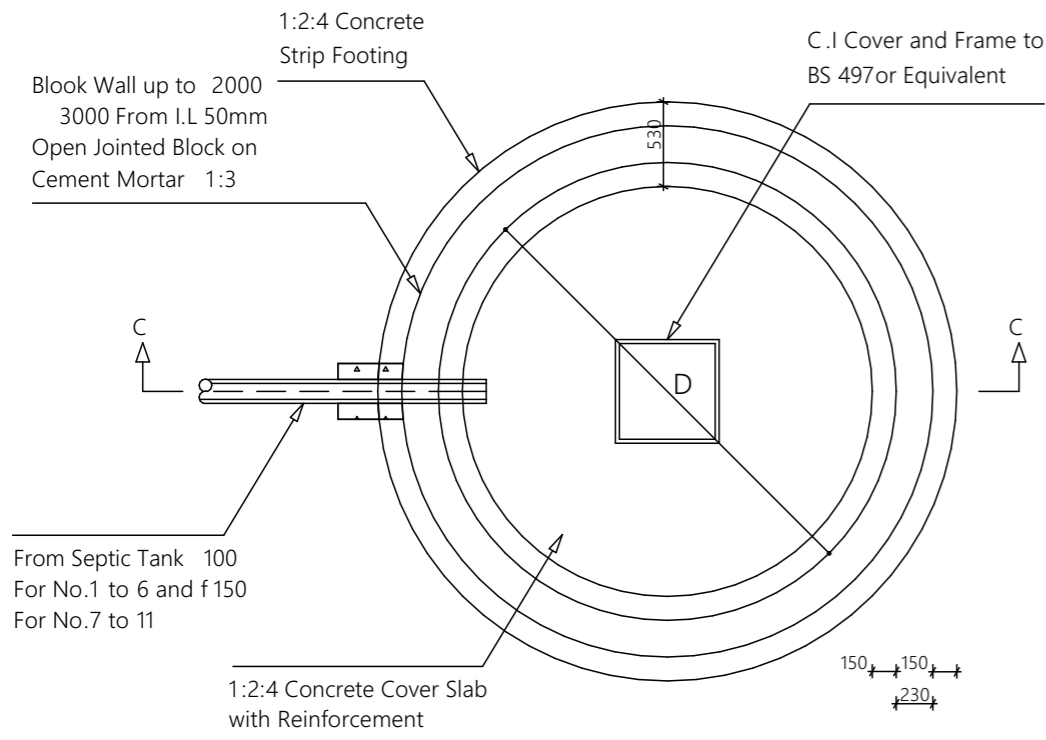
Layout ID A.08	Revision
--------------------------	----------



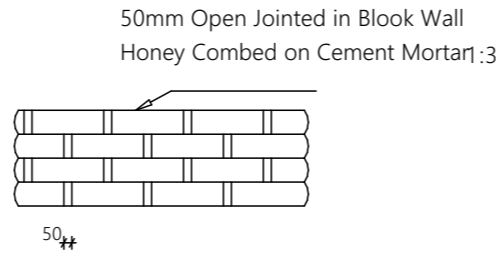
SEPTIC TANK SIZES DEPTH IS FROM TRUE WATER LEVEL							
No.	All Wastes No. of Users	Soil Wastes No. of Users	Dimension in mm			Volume Cubic (m ³)	Capacity In Gallons
			Length	Width	Depth		
1	7	10	2134	610	1524	1.982	437
2	15	20	2591	762	1676	3.326	730
3	30	30	3048	914	1676	4.813	1003
4	40	45	3505	1067	1829	6.852	1510
5	50	60	3962	1219	1829	8.339	1950
6	60	75	4420	1295	1829	10.477	2310
7	70	90	4877	1372	1829	12.785	2690
8	75	105	5182	1624	1829	14.441	3180
9	85	120	5639	1624	1905	16.354	3600



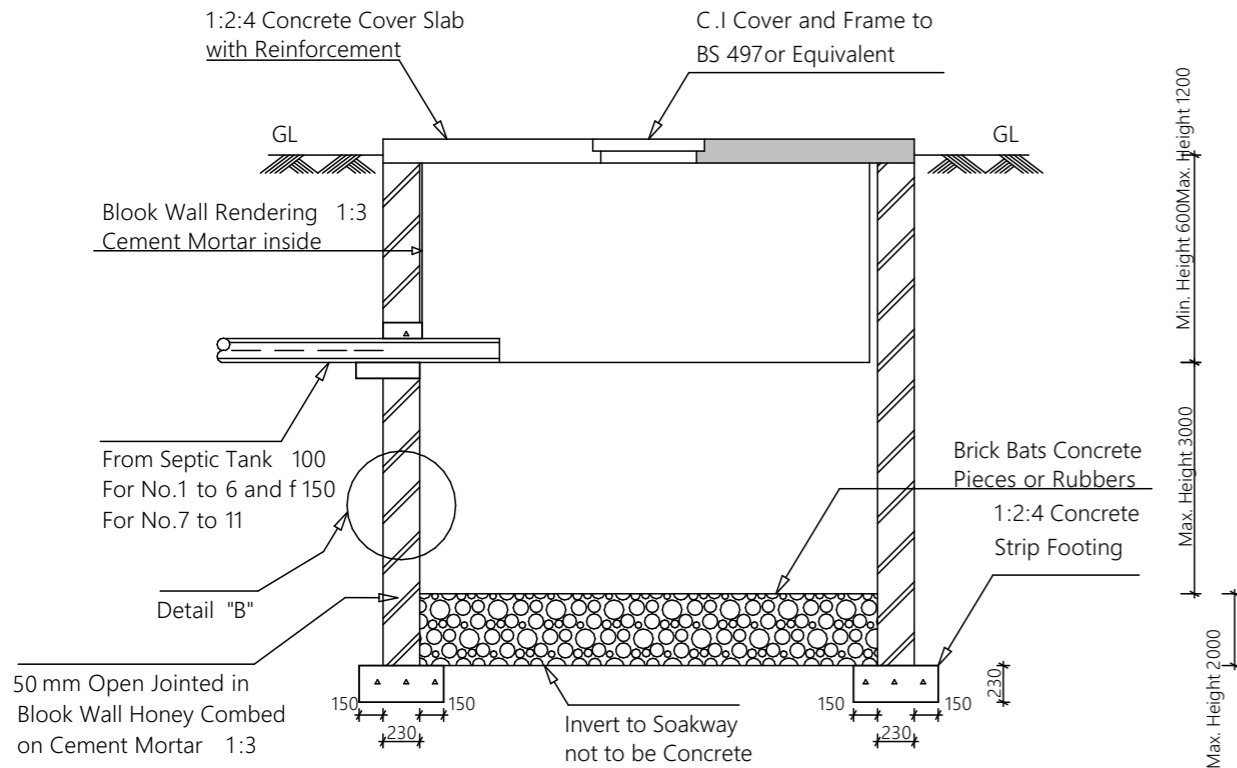
GENERAL NOTES	Project Info:	Drawing Name	<table border="1"> <tr> <th>Name</th> <th>Signature</th> </tr> <tr> <td>Designed by :</td> <td></td> </tr> <tr> <td>Drawn by :</td> <td></td> </tr> <tr> <td>Checked by :</td> <td></td> </tr> <tr> <td>Approved by :</td> <td></td> </tr> </table>	Name	Signature	Designed by :		Drawn by :		Checked by :		Approved by :		Discipline : <input checked="" type="checkbox"/> Architectural <input type="checkbox"/> Electrical <input type="checkbox"/> Structural <input type="checkbox"/> Civil <input type="checkbox"/> Mechanical <input type="checkbox"/> ICT	Drawing Scale	
	Name		Signature													
Designed by :																
Drawn by :																
Checked by :																
Approved by :																
Title: Location: Client:					Layout ID A.09	Revision										



SOAKWAY PLAN
SCALE 1:25



DETAIL B
SCALE 1:25



SOAKWAY SECTION C -C
SCALE 1:25

DATA FOR SOAKWAY

The Size For Soakway should be Calculated According to Soil Condition and Quantity of water Daily Per Head

CAPACITY IN m (Sqr)	6.30	14.10	17.70	19.20	24.00	25.00	31.40	37.70	39.30	49.00	53.90
ABSORPTION SURFACE IN m (Sqr)	14.80	24.60	29.30	30.00	35.50	35.90	42.10	48.40	48.70	56.60	64.40
DIAMETER "D" IN METRES	2.0	3.0	3.0	3.5	3.5	4.0	4.0	4.0	5.0	5.0	5.0
HEIGHT OF MEDIUM "H" IN METRES	2.0	2.0	2.5	2.0	2.5	2.0	2.5	3.0	2.0	2.5	3.0
TYPE OF COVER SLAB											
TYPE No.	1	2	3	4	5	6	7	8	9	10	11

GENERAL NOTES

Project Info:

Title:
Location:
Client:

Drawing Name

	Name	Signature
Designed by :		
Drawn by :		
Checked by :		
Approved by :		

Discipline :

- Architectural
- Structural
- Mechanical
- Electrical
- Civil
- ICT

Drawing Scale

Layout ID
A.10

Revision



GENERAL NOTES

Project Info:

Title:
Location:
Client:

Drawing Name

	Name	Signature
Designed by :		
Drawn by :		
Checked by :		
Approved by :		

Discipline :

- Architectural
- Structural
- Mechanical
- Electrical
- Civil
- ICT

Drawing Scale

Layout ID
A.11

Revision



GENERAL NOTES

Project Info:

Title:
Location:
Client:

Drawing Name

	Name	Signature
Designed by :		
Drawn by :		
Checked by :		
Approved by :		

Discipline :

- Architectural
- Structural
- Mechanical
- Electrical
- Civil
- ICT

Drawing Scale

Layout ID
A.12

Revision



GENERAL NOTES

Project Info:

Title:
Location:
Client:

Drawing Name

	Name	Signature
Designed by :		
Drawn by :		
Checked by :		
Approved by :		

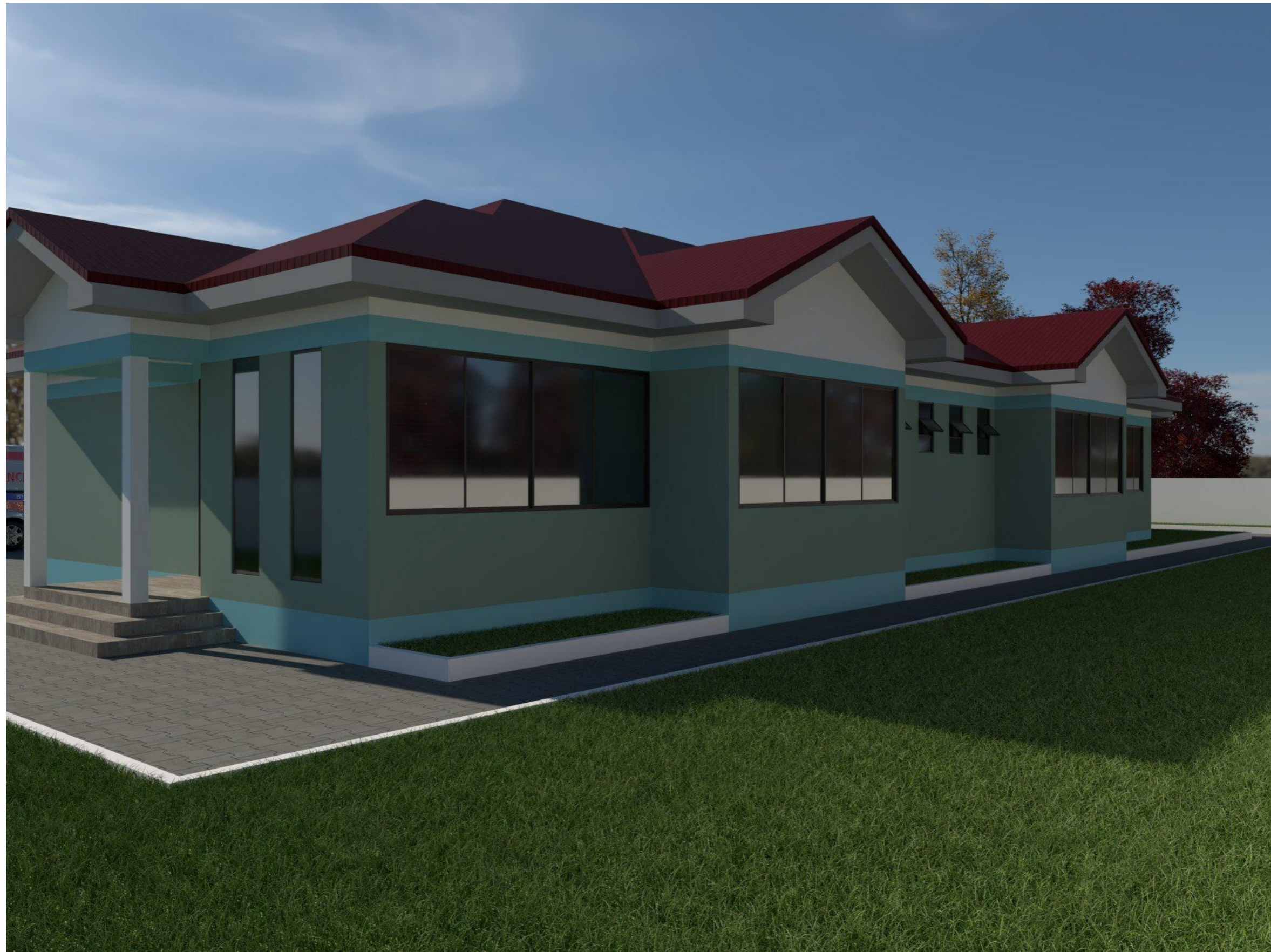
Discipline :

- Architectural**
- Structural**
- Mechanical**
- Electrical**
- Civil**
- ICT**

Drawing Scale

Layout ID
A.13

Revision



GENERAL NOTES

Project Info:
 Title:
 Location:
 Client:

Drawing Name

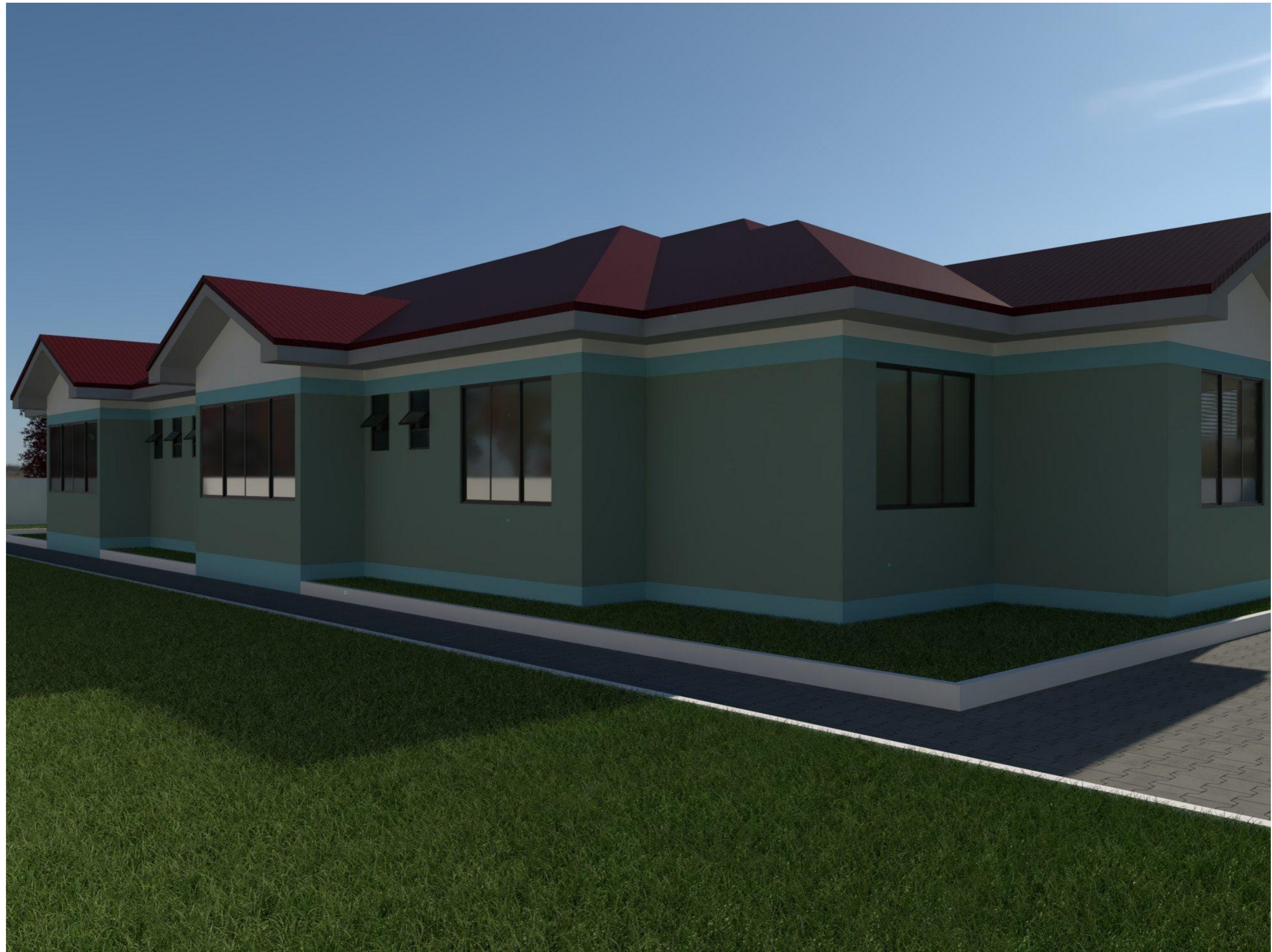
	Name	Signature
Designed by :		
Drawn by :		
Checked by :		
Approved by :		

Discipline :

<input checked="" type="checkbox"/> Architectural	<input type="checkbox"/> Electrical
<input type="checkbox"/> Structural	<input type="checkbox"/> Civil
<input type="checkbox"/> Mechanical	<input type="checkbox"/> ICT

Drawing Scale

Layout ID A.14	Revision
--------------------------	----------



GENERAL NOTES

Project Info:
 Title:
 Location:
 Client:

Drawing Name

	Name	Signature
Designed by :		
Drawn by :		
Checked by :		
Approved by :		

Discipline :

Architectural **Electrical**
 Structural **Civil**
 Mechanical **ICT**

Drawing Scale

Layout ID A.15	Revision
--------------------------	----------